

## JACK-UP BARGE " ISMAIL HAKKI "

Type of vessel : Self-Elevating Jack-up Barge

Length Overall (LOA) : 19,0 m

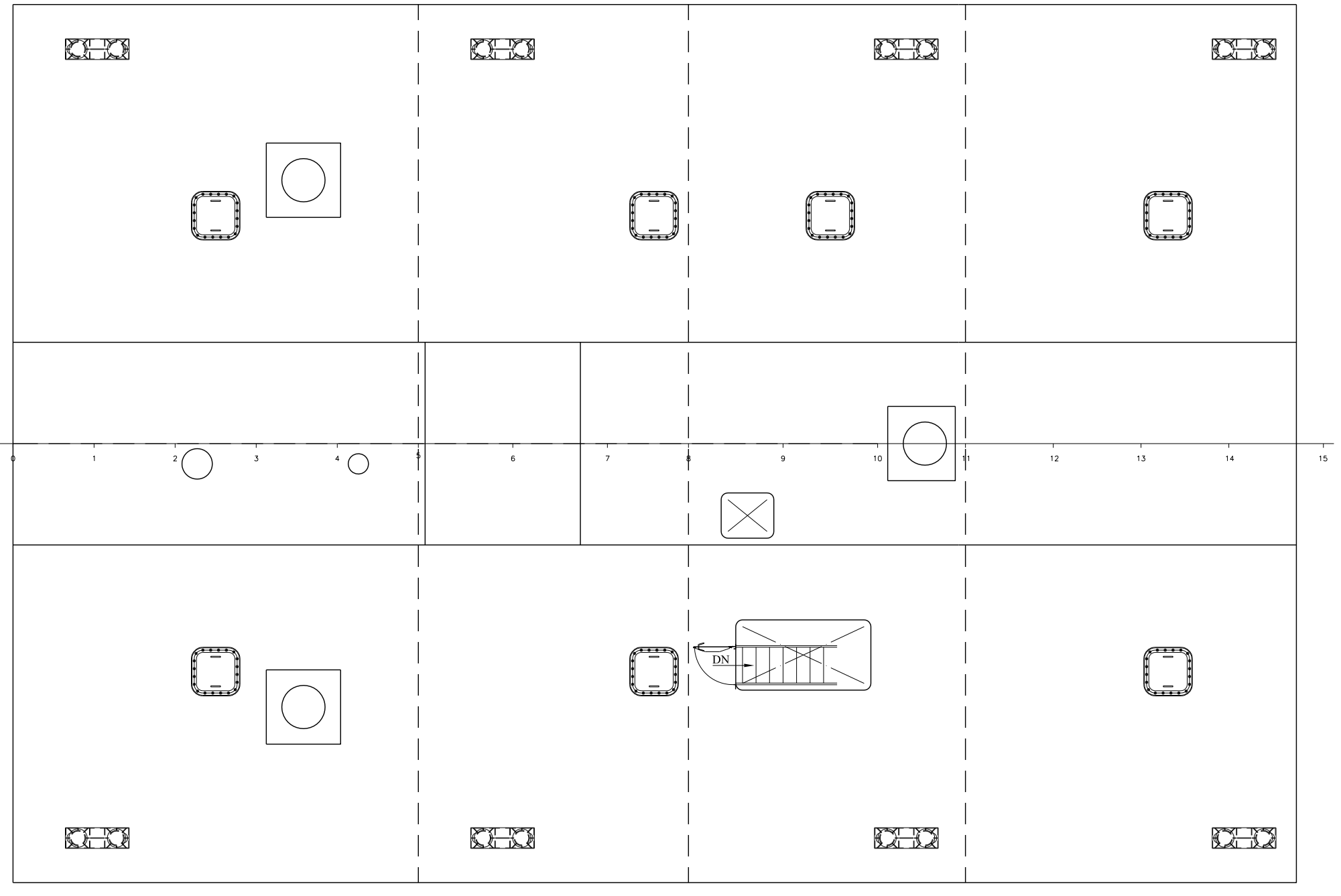
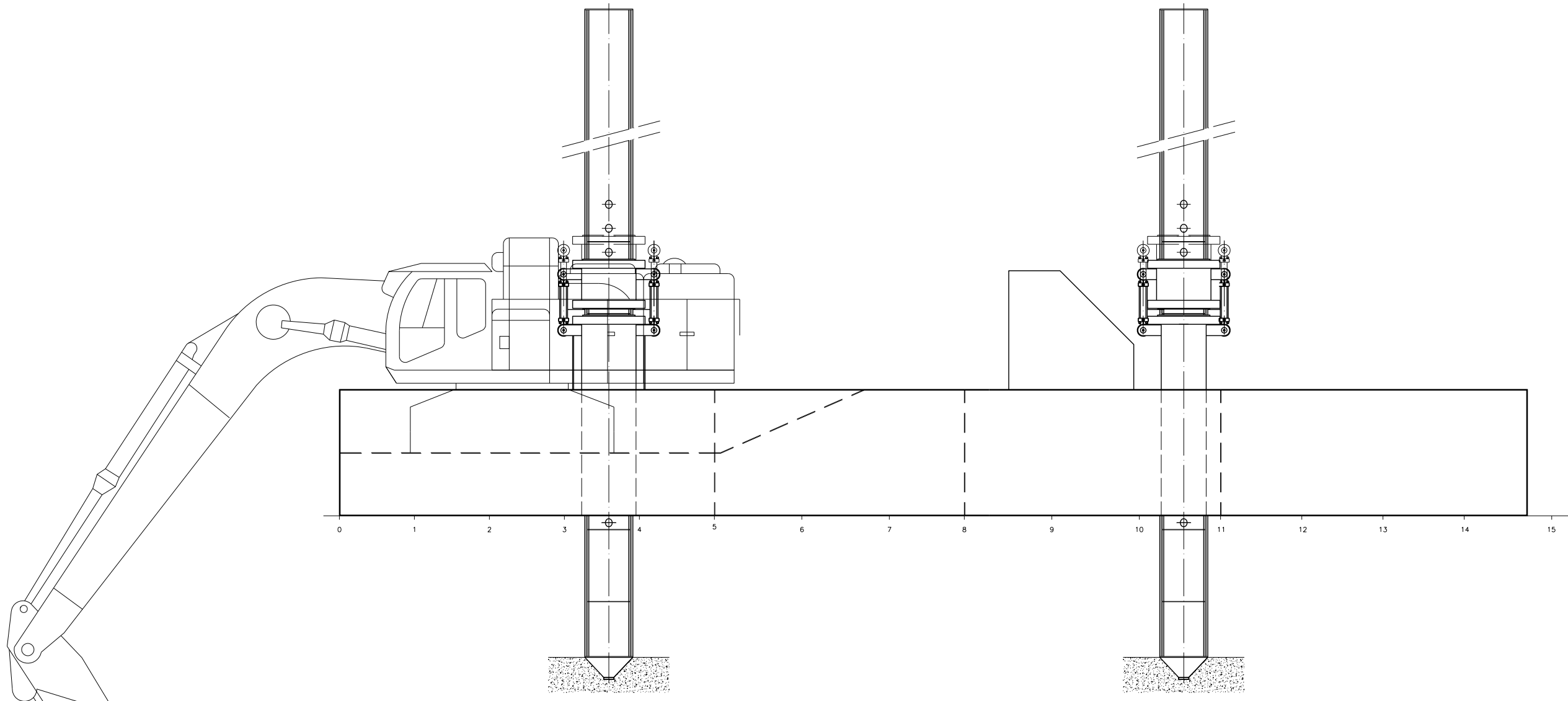
Breadth (B) : 13,0 m

Depth (D) : 2,0 m

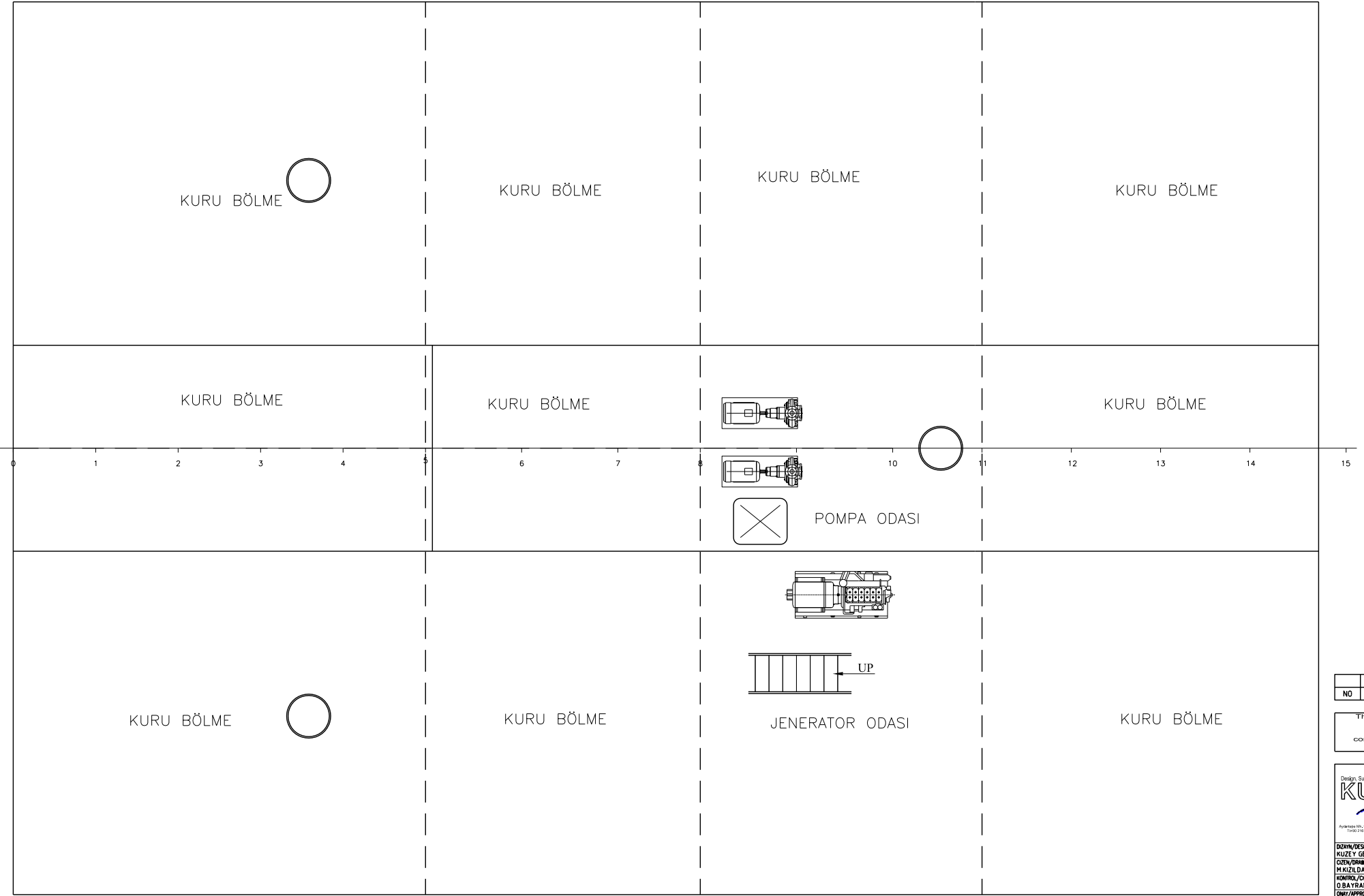
Draft : 0,95 m

Date of Build : 2011





ANA GÜVERTE



TANK GÜVERTE

ANA ÖLÇÜLER

- TAM BOY : 19.00
- KAMELER ARASI BOY : 19.00
- GENİSLİK : 13.00
- YÜKSEKLİK : 2.00
- DRAFT : 0.95

NO	DEĞİŞİKLİK/REVISION	TARİH/DATE	İMZA/SIGN																																				
<p>This design presented in this drawing is property of Kuzey Gemi Yolları, Özdemir ve Denizcilik Ltd. Şti. It must not be handed over to third parties without the written permission of the company. Also, it must not be used for other purposes than specified in the contract even in modified form without the written permission.</p>																																							
		<p>İSMAİL HAKKI 19.0x13.0x2.0 DUBA</p>																																					
<table border="1"> <tr> <th>ÇİZİM/DESIGNED</th> <th>SARF/DATE</th> <th>MÜSTERİ/OWNER</th> <th>TEKNE/SHIPYARD</th> <th>TEKNE/HULL NO</th> </tr> <tr> <td>İSMAİL HAKKI</td> <td>13.08.2019</td> <td>LCM ROTA DENİZ</td> <td>---</td> <td>NS</td> </tr> <tr> <th>PROJE/NO</th> <th>PROJE NO</th> <th>EBAT/SIZE</th> <th>ÇİZİM/SCALE</th> <td></td> </tr> <tr> <td>MS19</td> <td>MS19</td> <td>A2</td> <td>1/50</td> <td></td> </tr> <tr> <th>İSİM/TITLE</th> <td colspan="4"></td> </tr> <tr> <td>GENEL PLAN</td> <td colspan="4"></td> </tr> </table>	ÇİZİM/DESIGNED	SARF/DATE	MÜSTERİ/OWNER	TEKNE/SHIPYARD	TEKNE/HULL NO	İSMAİL HAKKI	13.08.2019	LCM ROTA DENİZ	---	NS	PROJE/NO	PROJE NO	EBAT/SIZE	ÇİZİM/SCALE		MS19	MS19	A2	1/50		İSİM/TITLE					GENEL PLAN					<table border="1"> <tr> <th>KLAS/CLASS</th> <th>DEĞİŞİKLİK/REVISION</th> <th>REVİZYON</th> </tr> <tr> <td>MS19-001-V00</td> <td>REVİZYON</td> <td></td> </tr> </table>			KLAS/CLASS	DEĞİŞİKLİK/REVISION	REVİZYON	MS19-001-V00	REVİZYON	
ÇİZİM/DESIGNED	SARF/DATE	MÜSTERİ/OWNER	TEKNE/SHIPYARD	TEKNE/HULL NO																																			
İSMAİL HAKKI	13.08.2019	LCM ROTA DENİZ	---	NS																																			
PROJE/NO	PROJE NO	EBAT/SIZE	ÇİZİM/SCALE																																				
MS19	MS19	A2	1/50																																				
İSİM/TITLE																																							
GENEL PLAN																																							
KLAS/CLASS	DEĞİŞİKLİK/REVISION	REVİZYON																																					
MS19-001-V00	REVİZYON																																						